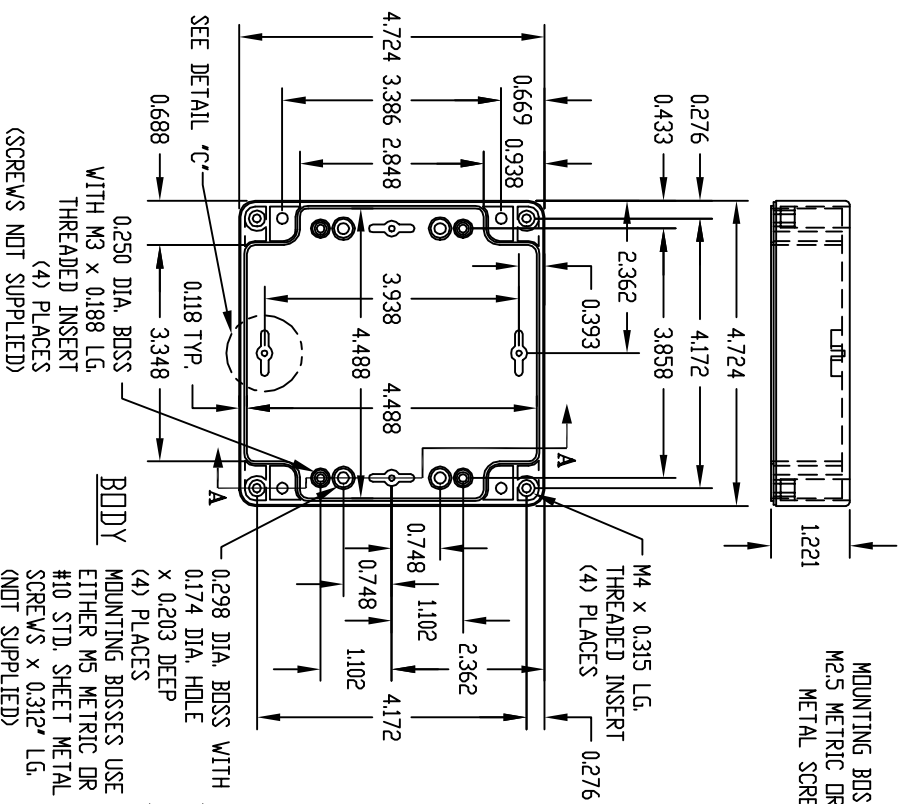


PART NAME: NEMA 4X ENCLOSURE

PART No.:

PN-1336, PN-1336-C AND PN-1336-DG

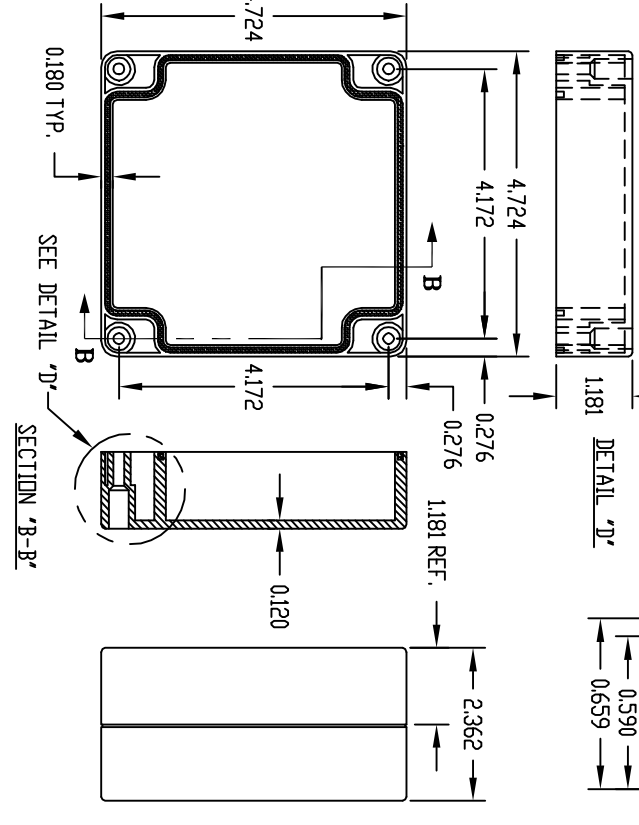
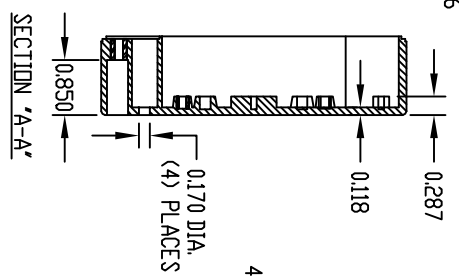
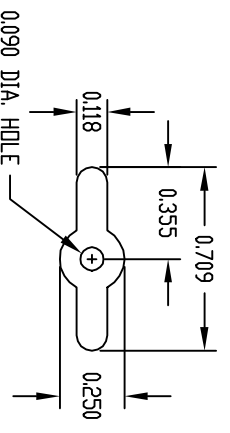
**INDUSTRY STANDARDS:**  
 POLYCARBONATE (LIGHT GRAY AND CLEAR)  
 UL 94V-2 FLAMMABILITY RATING (UL FILE #E41613)  
 UV STABILIZED  
 SERVICE TEMPERATURE RANGE: -40°C TD +120°C  
 ABS (DARK GRAY)  
 UL 94-HB FLAMMABILITY RATING (UL FILE #E56070)  
 SERVICE TEMPERATURE RANGE: -40°C TD +80°C



MOUNTING BOSS USE EITHER M2.5 METRIC DR #4 STD. SHEET METAL SCREWS x 0.188" LG. (NOT SUPPLIED)

0.090 DIA. HOLE x 0.203 DEEP

DETAIL 'C'  
(4) PLACES



NOTE: ALL DIMENSIONS HAVE ±0.015 TOLERANCE UNLESS OTHERWISE SPECIFIED.

PART NUMBER	MATERIAL		FINISH		HARDWARE KIT
	BODY	COVER	BODY	COVER	
PN-1336	POLYCARBONATE	POLYCARBONATE	LIGHT GRAY	LIGHT GRAY	KIT CONTAINS (4) M4 x 20mm (0.787") LG. SCREWS FOR ASSEMBLY
PN-1336-C	POLYCARBONATE	POLYCARBONATE	LIGHT GRAY	CLEAR	
PN-1336-DG	HIGH-IMPACT ABS	HIGH-IMPACT ABS	DARK GRAY	DARK GRAY	